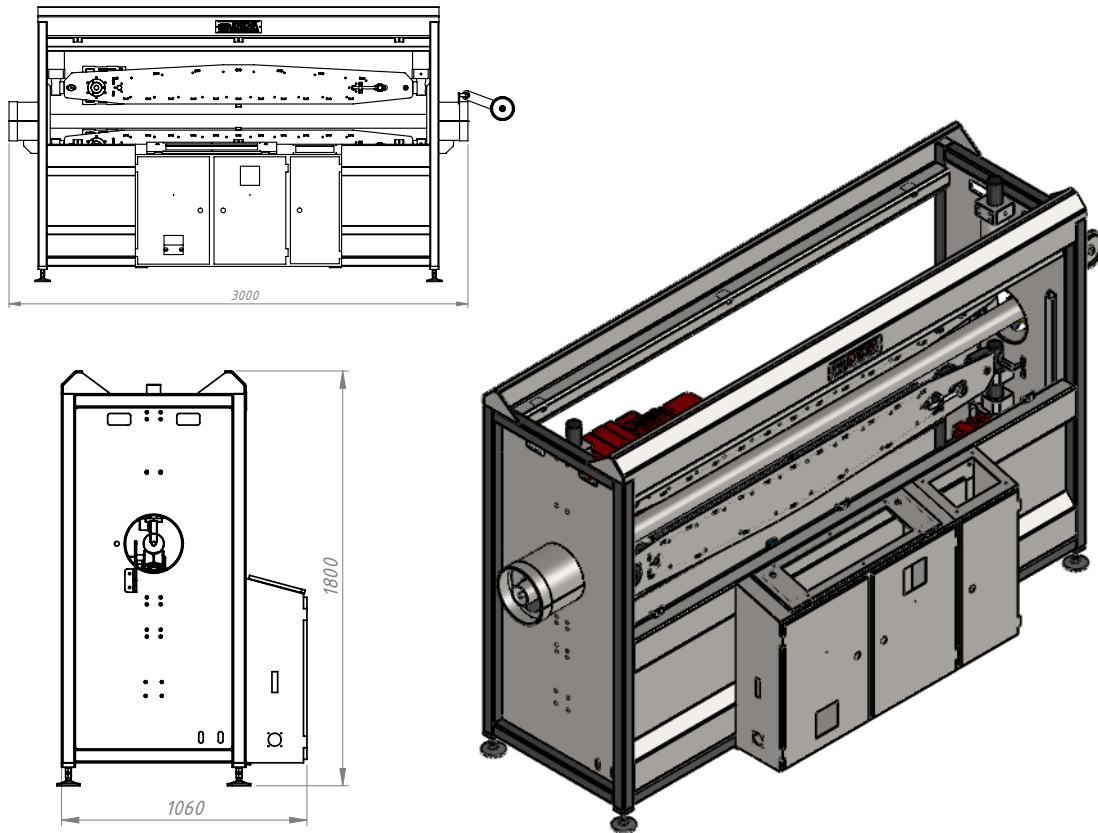


DMPC 75-2K PIPE HAUL-OFF



Features & Specifications

Dimensions (LxWxH)	3000 x 1060 x 1800 mm
Pipe Diameter	Ø 16 - Ø 75 mm
Speed	60 m/min
Pulling Force	11,000N
Contact Length	1500 mm
Teeth Width	50 mm
No of Pulling Arms	2
Motor	1.1 Kw x2 ABB or Siemens
Drivers	1.5 Kw x2 ABB or LENZE Driver
Max Opening Size	150 mm
Required Air Pressure	6 Bar
Control System	PLC Control and synchronized with extrusion line
Arms Movement System	Pneumatic
Length Counting	Encoder with wheel synchronized with extrusion line
Oil Injection	Manual or Automatic